

HAD-185-120-36/54

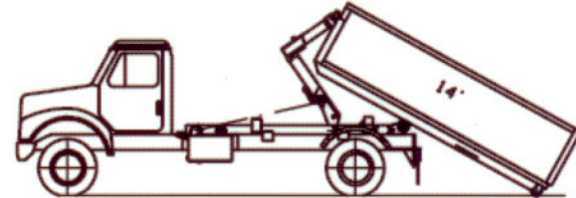
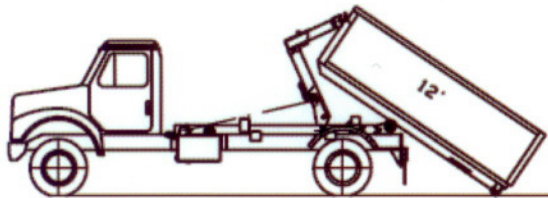
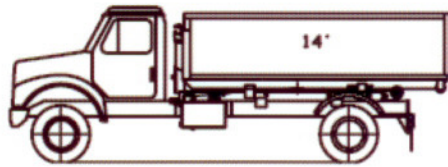
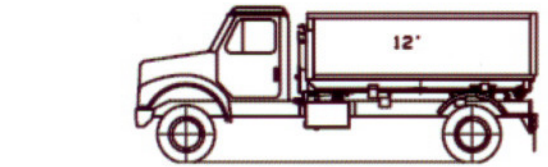
18,500 lbs. Capacity

PALFINGER HOOKLIFT



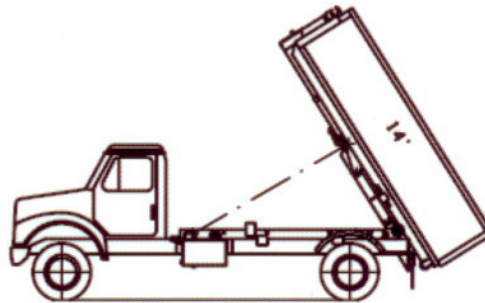
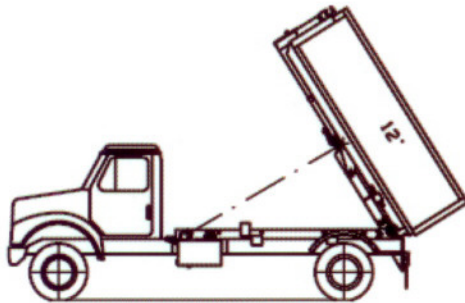
STANDARD FEATURES INCLUDE:

- Available with 36" hook height
- Available with 54" hook height
- Available with 36/ 54" adjustable hook height
- 12ft and 14ft containers



MAX. LOAD ANGLE 35 DEG

MAX. LOAD ANGLE 31 DEG



MAX. DUMPING ANGLE 58 DEG

MAX. DUMPING ANGLE 58 DEG

FEATURES:

- 18,500 LBS capacity
- High dump, "True Dump Truck" style dumping dual pivot
- Designed and manufactured in the United States
- Low pressure 2800 PSI hydraulics easily adapts to hydraulic based accessories
- Dual lift cylinders for added strength and stability
- Sliding jib to accommodate short containers and adjust the weight distribution
- Dual rear rollers side for easy container movement
- Poly fenders with full width bumper
- LED stop, turn and marker lights with factory plug-in harness
- Pintle hook mounting plate is standard
- Patented floating jib eliminates all electromechanical controls and allows the body to be slid back during the dump mode
- US manufactured pump, valve, cylinders and fittings
- All models include an A-frame drawing

CUSTOMIZED QUICK CHANGE BODIES:

- Open top containers
- Closed storage bodies
- Salt and sand spreaders
- Tree spraying units
- Septic cleaning pumps
- Hydroseeders
- Concrete forms
- Scaffold delivery skids
- Recycling containers
- Flatbed bodies
- Dump bodies (standard & heated)
- Water tanks
- Spraying systems
- Liftgate bodies
- Cranes: skid mounted
- Bark mulch blowers
- Contractor bodies