

# KIMSHOFER

**KM 461B Battery Wallboard Fork:** Simplifies the task of stocking high rise buildings. Works with a jobsite dedicated crane or a telescoping crane boom truck. Self contained battery powered 1,800 psi hydraulic system operates fork folding function.



**Teflon Pads:** reduce edge damage when delivering wallboard!



**Hydraulic System:** Contains Motor & Pump; Operates ram to fold up and cradle for loading and carrying.



**Pilot operated holding valve** on cylinder, flow check valve on pump ensures load holding both ways!

# Battery Wallboard Fork

KM 461B

## Battery powered models

Battery Wallboard Forks are independent from external hydraulic systems and work on jobsite tower cranes and telescopic truck cranes.

Model*	Capacity (lbs)	Tine spread (in)	Flat lift height (A) (in)	Throat (B) (in)	Selfweight (lbs)
<b>BWB296-00-6022</b>	4500	60	48	22.5	715
<b>BWB296-00-6027</b>	6000	60	54	27.5	890
<b>Stand for Battery Wallboard Fork 487070096</b>	1000	N/A	N/A	N/A	225

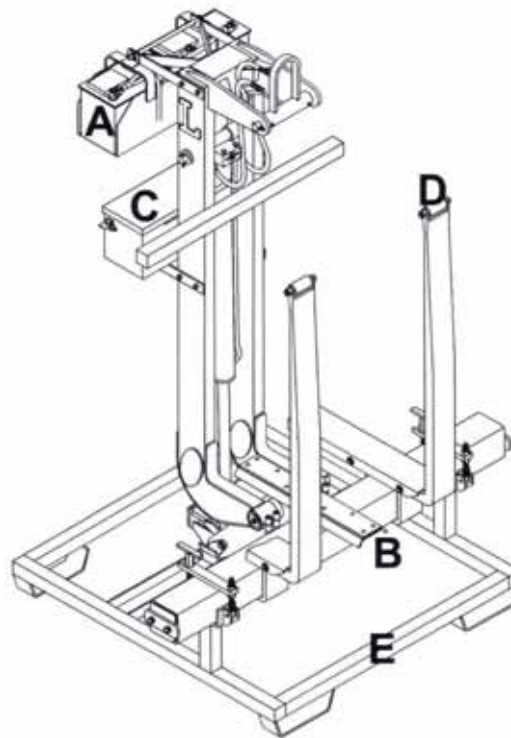
\* Additional models available on demand

### POWER PACK (A):

Rechargeable 12 volt industrial grade batteries operate hydraulic pump when used with non-hydraulic crane.

### TEFLON PADS (B):

Protect wallboard edges from damage and allow panels to slide off easily when unloading. Teflon resists damage from exposure to sunlight, doesn't deteriorate with age.



### HYDRAULIC SYSTEM (C):

Operates ram to lower or fold up cradle for loading and carrying. When used with a boom truck a quick and simple conversion connects the truck's hydraulic power to the Liftall.

### ROLLER TIPS (D):

Tines have roller ends to protect surface of wallboard from damage.

### STORAGE RACK (E):

Forklift storage rack available for loading/moving unit to and from a jobsite!

## Specifications:

Tines adjust from 19" to 60" to handle narrow or wide loads

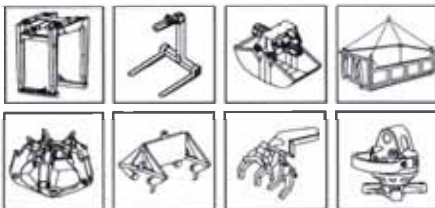
Handles board up to 14 ft. Long, stacked to 22 inch high. (27" optional)

4,500 lb lift up to 22" stack height or 6,000 lb lift with 27" stack height

Fail-safe check valve prevents accidental opening of fork

Folded dimensions: 29" x 73"

10 foot Control pendent cord stdl



**KINSHOFER**  
LIFTALL

Manufacturing Plant  
775 Pacific Road, Unit 29  
Oakville, Ontario L6L 6M4  
Phone: 1-800-268-9525  
Fax: 1-905-827-5879

USA Sales West  
P.O. Box 11672  
Bainbridge Is, WA 98110-1672  
Phone: 1-888-888-4026  
Fax: 1-360-638-0151

USA Sales South  
P.O. Box 558905  
Miami, FL 33255-8905  
Phone: 1-305-412-0210  
Fax: 1-305-412-0244

USA Sales East  
P.O. Box 1599  
Keene, NH 03431-1599  
Phone: 1-800-800-4026  
Fax: 1-603-357-4566

Visit our website @ [www.kinshofer.com](http://www.kinshofer.com)

KINSHOFER IS AN ISO 9001 Company

We reserve the right to amend specification without prior notice!

Printed in Canada